

4G LTE GPS Tracker

User Manual

For Vehicle/Motorcycle/Scooter

1. Features

- ◇ Real-time tracking by APP/Platform
- ◇ Movement/Ignition on off alarm
- ◇ Speeding / ACC detection
- ◇ Power Cut alarm with internal battery
- ◇ Angle change update location
- ◇ External Voltage detection
- ◇ Mileage statistics
- ◇ Disable fuel or electricity (Optional)



2. Specs.

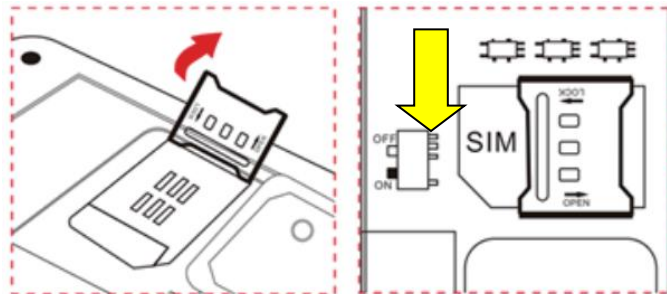
Content	Specs.
Dim.	79*34*18mm
LTE Cat1 module	Quectel EC800G-CN
GPS chipset	AT6558R
Network	4G LTE / GSM (with fallback support)
Bands	LTE-FDD B1/B3/B5/B8 LTE-TDD B34/B38/B39/B40/B41
GNSS	GPS/BDS
Tracking sensitivity	-162dBm
Location accuracy	<5 meters CEP
Time To First Fix(open sky)	Cold status <35s Hot status <1s
Working voltage	9-90VDC
GPRS Protocol	Class12, TCP/IP
Operating temp.	-20°C to +70°C
Back up battery	110mAh /3.7V Li-Polymer battery
Standby consumption	7.8mA

Working consumption	92~118mA
Protocol type	GT06 protocol

3. Install SIM Card

- Preparation: insert 4G SIM card with activated GPRS data; Make sure SIM card with full balance; If SIM card with PIN code, must remove it advance.
- Open back cover, switch ON/OFF button to “ON” place.

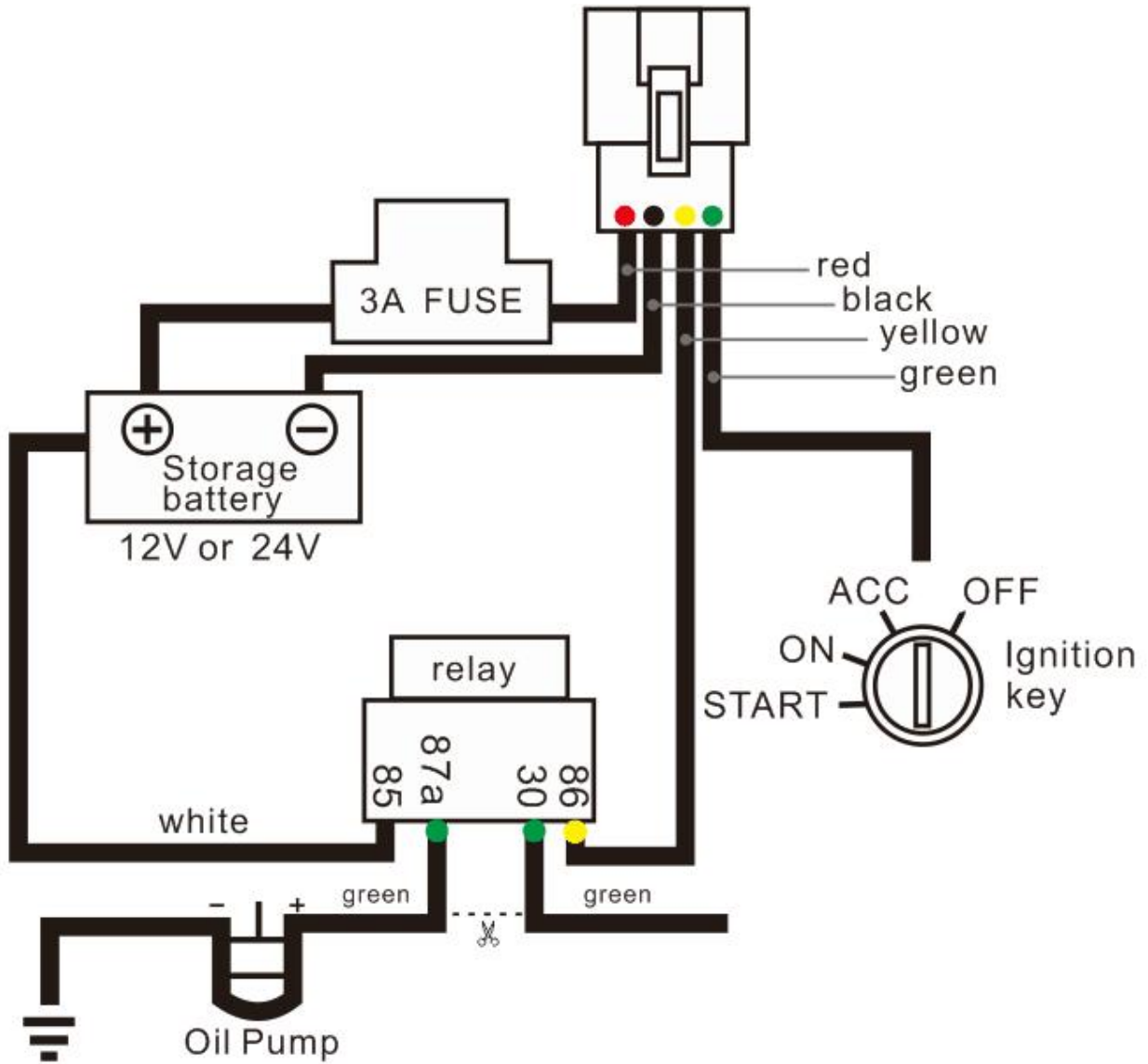
Reminder: make sure insert SIM card firstly, then power on device, otherwise it maybe lead to recognize SIM failed.



4. Device light description

Light	Signal	Normal	Abnormal
Yellow	GSM signal	3s flashing	Constant on: no network
Blue	GPS signal	Flashing	Constant on/or no light: not have GPS signal
Red	Power signal	Constant on	flashing: disconnected power

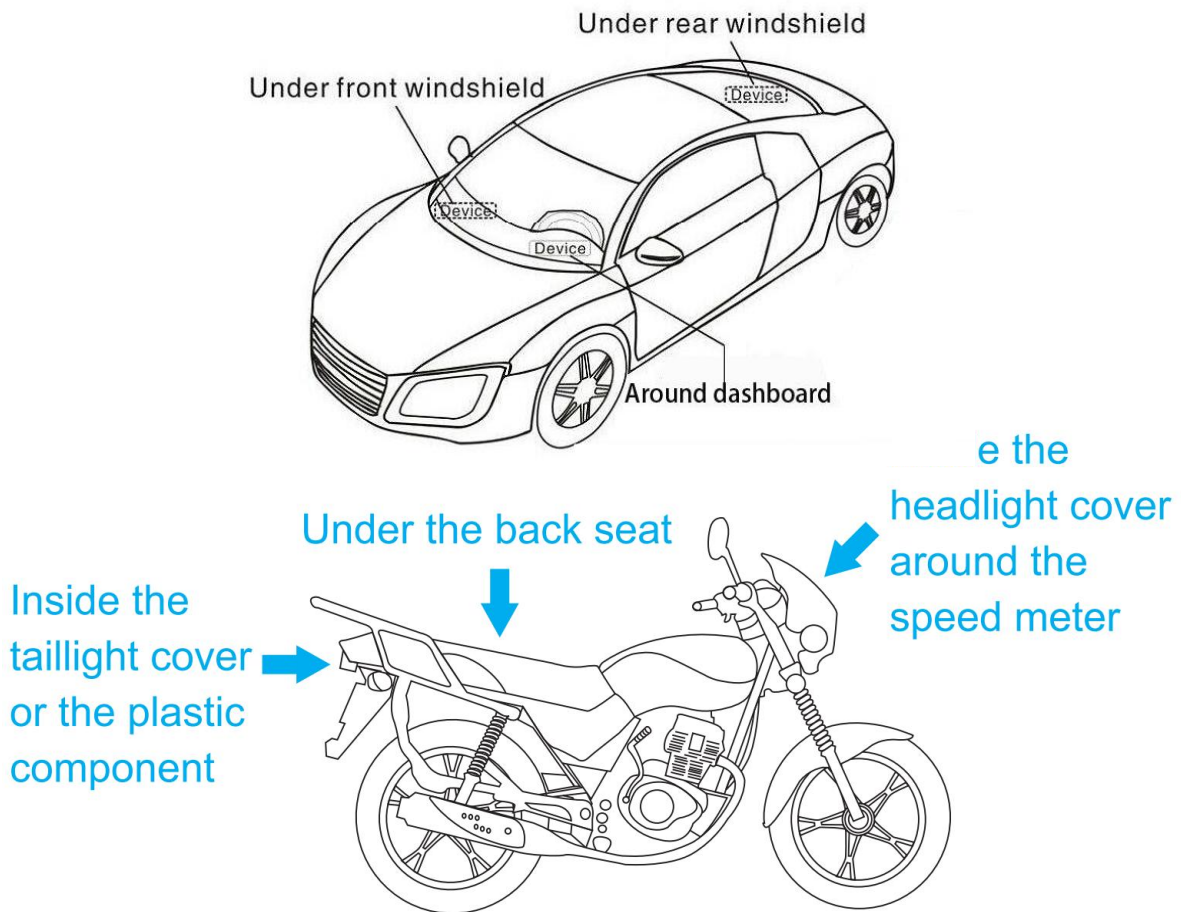
5. Wiring diagram





6. Installation

The device has built-in GSM and GPS antenna, make sure front side upward and there is no metal shielding.



7. Command List

Note: All Alarms only will be sent to admin Number Only

Function	SMS command list
----------	------------------

APN query	APN#
APN set up	APN,cmnet,,#
	APN,cmnet,aaa,bbb#
Server parameter query	SERVER#
Server parameter settings	SERVER,1,domain,port,0#
	SERVER,0,IP,port,0#
Get Google link	666#
	URL#
	POSITION#
Status query	STATUS#
Version query	VERSION#
Query parameter settings	PARAM#
Restart command	RESET#
Cut engine	RELAY,1#
Resume engine	RELAY,0#
Add center number1	CENTER,A,center number#
Delete center number1	CENTER,D#
Query center number	CENTER#
set data upload interval	TIMER,T1,T2#
	T1=5 ~ 60 seconds; ACC ON interval
	T2=60 ~ 3600seconds; ACC OFF interval
Query data upload interval	TIMER#
Turn on vibration alarm settings	SENALM,A,M#
	A=ON
	M=0~2 for alarm mode, 0 GPRS 1 SMS+GPRS 2 GPRS+SMS+CALL
Turn off vibration alarm	SENALM,OFF#
Enable power cut alarm settings	POWERALM,A,M,T1,T2,#
	A=ON
	M=0~2 for alarm mode, 0 GPRS 1 SMS+GPRS 2 GPRS+SMS+CALL
	T1=2~60seconds power failure detection time T2=1-3600seconds minimum charging time
Turn off power cut alarm	POWERALM,OFF#
Turn on ACC on alarm	ACCALM,A,M#
	A=ON
	M=0~2 for alarm mode, 0 GPRS



	1 SMS+GPRS 2 GPRS+SMS+CALL
Close ACC on alarm	ACCALM,OFF#
turn on ACC off alarm	ACCOFFALM,A,M#
	A=ON
	M=0~2 for alarm mode, 0 GPRS 1 SMS+GPRS 2 GPRS+SMS+CALL
Close ACC off alarm	ACCOFFALM,OFF#
Query ACC off alarm	ACCOFFALM#
SMS time zone setting	GMT,A,B,C# A: E/ W ; B: Timezone ; C: 0/15/30/45
SMS time zone query	GMT#
Set external voltage upload	SZCS#GT06IEXVOL=1
Set mileage data upload	SZCS#GT06METER=0